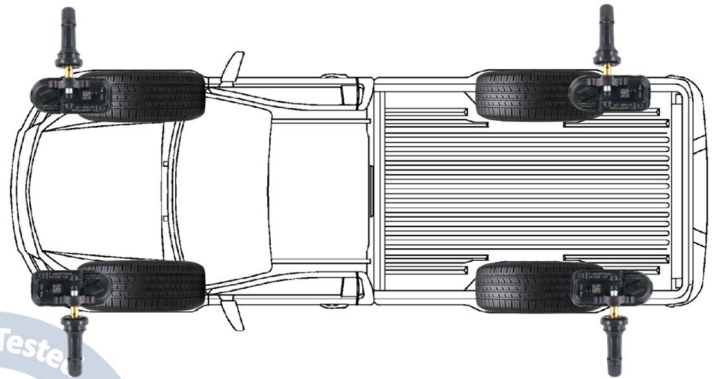




### 4-Wheel models (1500, 2500, & 3500)

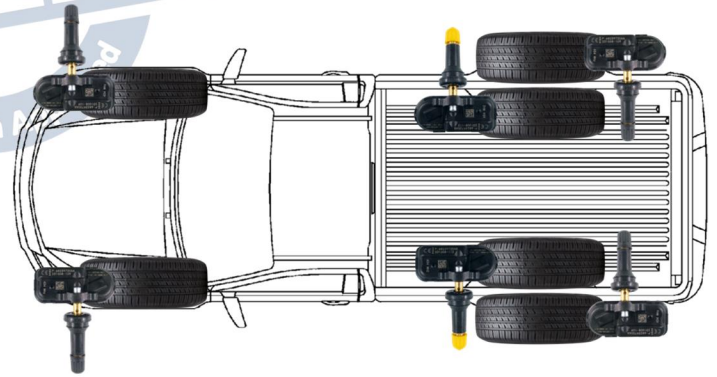


**Sensor: 6815**  
**Valve: VS-65**



### 3500 Dually with Outer Steel wheels

**Outer Sensor: 6815**  
**Inner Sensor: 6825\***  
**Valve: VS-65**

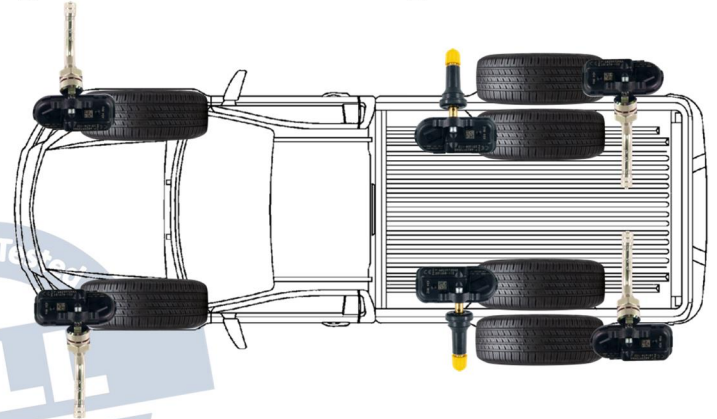


\*6825 sends a different signal to inform the ECU that it is an inner wheel sensor. An inner sensor cannot be installed in an outer wheel.



### 3500 Dually with Outer Alloy wheels

**Outer Sensor: 6829**  
**Inner Sensor: 6825\***  
**Outer Valve: VS-35**  
**Inner Valve: VS-65**



**6815**



**6825**



**VS-65**



**6829**



**VS-35**